

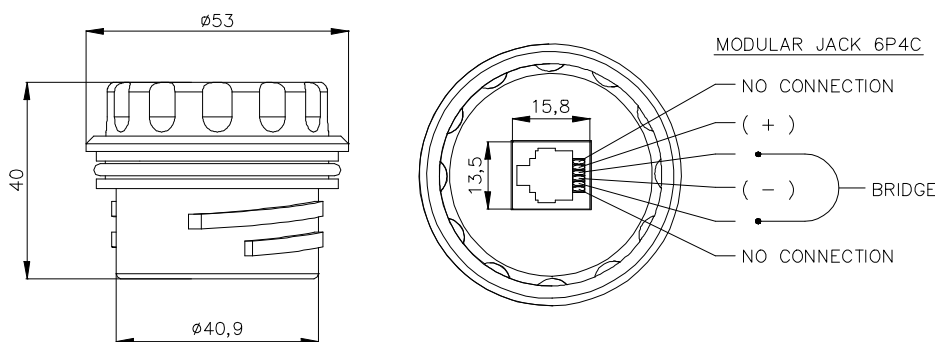
<b>Measurement Range:</b>	0-100 % oxygen
<b>Output in ambient air:</b>	9 to 12mV
<b>Electrical Interface:</b>	Modular Jack 6P4C
<b>Accuracy and Repeatability:</b>	< 1 % vol. O <sub>2</sub> when calibrated at 100 % Oxygen
	< 3 % relative
<b>Linearity error:</b>	< 12sec. to 90 % of final value
<b>Response time:</b>	< 200 µV in 100 % nitrogen applied after 5 min
<b>Zero Offset Voltage:</b>	< 0.5 % vol. O <sub>2</sub> response to:
	10 % CO <sub>2</sub> balance N <sub>2</sub>
	80% N <sub>2</sub> O balance N <sub>2</sub>
	7.5% Halothane balance N <sub>2</sub>
	7.5 % Isoflurane balance N <sub>2</sub>
	7.5 % Enflurane balance N <sub>2</sub>
	9% Sevoflurane balance N <sub>2</sub>
	20% Desflurane balance N <sub>2</sub>
<b>Cross Interference:</b>	- 0.03 % rel. per % RH at 25°C
<b>Influence of Humidity:</b>	proportional to change in oxygen partial pressure
<b>Influence of Pressure:</b>	< 1% relative after a fall from 1m
<b>Influence of Mechanical Shock:</b>	0 to 50°C
<b>Operating Temperature:</b>	built-in NTC compensation
<b>Temperature Compensation:</b>	between +25 °C and +40 °C: 3 % relative error
<b>Effect of Temperature Compensation (steady state):</b>	between 0 °C and +50 °C: 8 % relative error
<b>Operating Humidity:</b>	0-99% RH non-condensing
<b>Long Term Output Drift:</b>	< 1 % vol oxygen per month
	typically < - 15 % relative over lifetime
<b>Storage Temperature:</b>	-20 to +50 °C
<b>Recommended Storage:</b>	+5 to +15 °C
<b>Recommended Load:</b>	≥ 10 kOhms
<b>Warm-Up Time:</b>	< 30 minutes, after replacement of sensor
<b>Nominal Sensor Lifetime:</b>	≥ 1.000.000 % vol oxygen hours
<b>Weight:</b>	approximately 50 grams
<b>Warranty Period:</b>	15 months
<b>Part No.:</b>	01-00-0098

**Use the advantages:**

- Meet EN ISO 21647
- Designed and manufactured according to EN ISO 9001 : 2000 and EN ISO 13485 : 2003
- Accurate and reliable response
- Resistant to N<sub>2</sub>O
- Excellent signal stability
- High product quality
- Short lead times
- Technical support



All specifications are applicable at standard conditions: 1013 hPa, 25°C dry ambient air



Dimension in mm

**ENVITEC- WISMAR GMBH**  
**TEL:13361073697(China)**  
 Alter Holzhafen 18  
 D-23966 Wismar

Phone: +49-(0) 3841- 360 1  
 Fax: +49-(0) 3841- 360 222  
 E-Mail: [info@envitec.com](mailto:info@envitec.com)  
<http://www.envitec.com>